



负温度系数(NTC)热敏电阻器

Negative temperature coefficient (NTC) thermistor

MF73大功率型NTC热敏电阻系列

MF73 High-power NTC Thermistor series

● 特点 Characteristics

- 结构可靠、便于安装
- 抑制浪涌电流能力强、吸收能量大
- 工作的稳态电流大
- 寿命长、可靠性高

- Reliable Configuration and convenient installment
- Have the strongest capability of surge current protection and energy absorption
- Maximum steady state operating current
- Longevity of service,high reliability

● 应用范围 Applications

- 各种大功率开关电源、UPS电源、转换电源
- 电动汽车充电器、充电桩
- 电机驱动装置、大功率伺服电机驱动器、逻辑控制器
- 大功率等离子体焊接机、切割机、大功率照明灯具
- 核磁共振设备、大功率专业音频功放机、大功率环形变压器大容量功率逆变器的太阳能电池板阵列
- 高压电源驱动的工业机器人、低压智能电柜

- All kinds of power supply,UPS power supply, Switching power supply
- EV charger,charging pile
- Motor driver,superpower server motor driver,logic controller
- High power plasma electric welder,cutting machine, super power lighting lamp
- Nuclear magnetic resonance equipment,super power audio power amplifier,high power circle transformer
- The solar panel arrays with high capacity power inverter
- The industrial robot driven by high voltage power supply,intelligent electric cabinet with low voltage

● MF73 产品标志说明 Specification



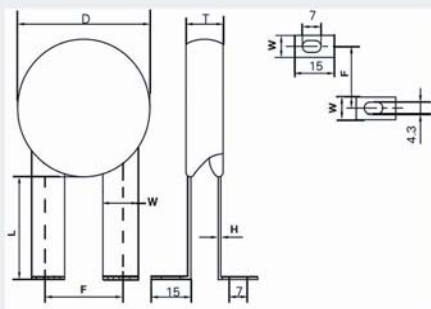


MF73大功率型NTC热敏电阻系列

MF73 High-power NTC Thermistor series

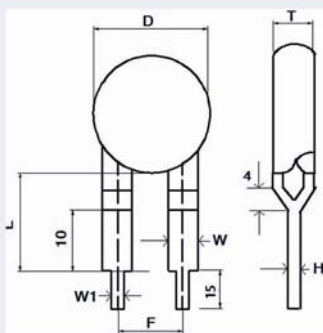
● MF73外形尺寸(单位mm) Dimensions (mm)

弯线/Curved



本体尺寸/Body size	Φ40	Φ45	Φ50
外径/Diameter ( Dmax )	45	50	55
厚度/Thickness ( Tmax )	18	18	18
间距/Pitch ( F±1.5 )	22.5	22.5	22.5
引线长度/Lead length ( L±2 )	20	20	20
引线宽度/Lead width ( W±0.2 )	8	8	8
引线厚度/Lead thickness ( H±0.1 )	1.0	1.0	1.0

直线/Straight



本体尺寸/Body size	Φ40	Φ45	Φ50
外径/Diameter ( Dmax )	45	50	55
厚度/Thickness ( Tmax )	18	18	18
间距/Pitch ( F±1.5 )	22.5	22.5	22.5
引线长度/Lead length ( L±2 )	30	30	30
引线宽度/Lead width ( W±0.2 )	10	10	10
引线厚度/Lead thickness ( H±0.1 )	1.0	1.0	1.0
下引线宽度/Width of low lead ( W1±0.2 )	6	6	6

● 主要技术参数 Main Technical parameters

型号 Part No. MF73T	$R_{25} \pm 20\%$ ( $\Omega$ )	热敏指数 Thermal index B $\pm 10\%$ (K)	最大稳态电流 Max Steady State Current I <sub>max</sub> (A)	最大电流时近似电阻值 Approx. R of Max. Current R <sub>max</sub> ( $\Omega$ )	最大额定功耗 Max rated Power P <sub>max</sub> (W)	最大冲击电容量 Max surge capacitance ( $\mu$ F/240V/AC)
本体直径: 40mm						
MF73 0.2/50	0.2	2600	50	0.005	25	8000
MF73 0.5/40	0.5	2600	40	0.008		6800
MF73 1/40	1	2600	40	0.010		6800
MF73 1.5/36	1.5	2600	36	0.012		6800
MF73 2/32	2	2600	32	0.014		6800
MF73 2.5/30	2.5	2800	30	0.018		6800
MF73 3/28	3	2800	28	0.020		6800
MF73 4/27	4	2800	27	0.022		4700
MF73 4.7/26	4.7	3000	26	0.023		4700
MF73 5/25	5	3000	25	0.028		4700
MF73 6.8/23	6.8	3000	23	0.030		4700
MF73 8/20	8	3200	20	0.034		3300
MF73 10/19	10	3200	19	0.038		3300
MF73 12/18	12	3200	18	0.040		3300
MF73 15/16	15	3200	16	0.050		3300
MF73 18/14	18	3200	14	0.062		3300
MF73 20/13	20	3200	13	0.075		3300

注: 若非特别指出,  $R_{25}$ 的允许偏差为 $\pm 20\%$   
Remark: Unless the particular indication, the allowable tolerance of  $R_{25}$  is  $\pm 20\%$ .



MF73 大功率型NTC热敏电阻系列

MF73 High-power NTC Thermistor series

● 主要技术参数 Main Technical parameters

型号 Part No. MF73T	$R_{25} \pm 20\%$ ( $\Omega$ )	热敏指数 Thermal index $B \pm 10\%$ (K)	最大稳态电流 Max Steady State Current $I_{max}$ (A)	最大电流时近似电阻值 Approx. R of Max. Current $R_{max}$ ( $\Omega$ )	最大额定功耗 Max rated Power $P_{max}$ (W)	最大冲击电容量 Max surge capacitance ( $\mu F/240V/AC$ )
本体直径: 45mm						
MF73 0.2/65	0.2	2600	65	0.004	30	11500
MF73 0.5/50	0.5	2600	50	0.007		8000
MF73 1/48	1	2600	48	0.009		8000
MF73 1.5/45	1.5	2600	45	0.011		8000
MF73 2/40	2	2600	40	0.012		8000
MF73 2.5/37	2.5	2800	37	0.015		8000
MF73 3/35	3	2800	35	0.018		8000
MF73 4/34	4	2800	34	0.020		6800
MF73 4.7/32	4.7	3000	32	0.022		6800
MF73 5/30	5	3000	30	0.025		6800
MF73 6.8/28	6.8	3000	28	0.028		6800
MF73 8/26	8	3200	26	0.030		4700
MF73 10/24	10	3200	24	0.032		4700
MF73 12/22	12	3200	22	0.034		4700
MF73 15/20	15	3200	20	0.042		4700
MF73 18/18	18	3200	18	0.061		4700
MF73 20/16	20	3200	16	0.070		4700
本体直径: 50mm						
MF73 0.2/80	0.2	2600	80	0.003	36	15000
MF73 0.5/60	0.5	2600	60	0.006		11500
MF73 1/56	1	2600	56	0.008		11500
MF73 1.5/50	1.5	2600	50	0.010		11500
MF73 2/45	2	2600	45	0.011		11500
MF73 2.5/42	2.5	2800	42	0.012		11500
MF73 3/40	3	2800	40	0.015		11500
MF73 4/38	4	2800	38	0.018		8000
MF73 4.7/36	4.7	3000	36	0.021		9000
MF73 5/35	5	3000	35	0.022		8000
MF73 6.8/32	6.8	3000	32	0.025		8000
MF73 8/29	8	3200	29	0.028		6800
MF73 10/27	10	3200	27	0.030		6800
MF73 12/25	12	3200	25	0.033		6800
MF73 15/23	15	3200	23	0.040		6800
MF73 18/20	18	3200	20	0.055		6800
MF73 20/18	20	3200	18	0.065		6800
MF73 25/15	25	3200	15	0.085	6800	

注: 若非特别指出,  $R_{25}$ 的允许偏差为 $\pm 20\%$   
Remark: Unless the particular indication, the allowable tolerance of  $R_{25}$  is  $\pm 20\%$ .